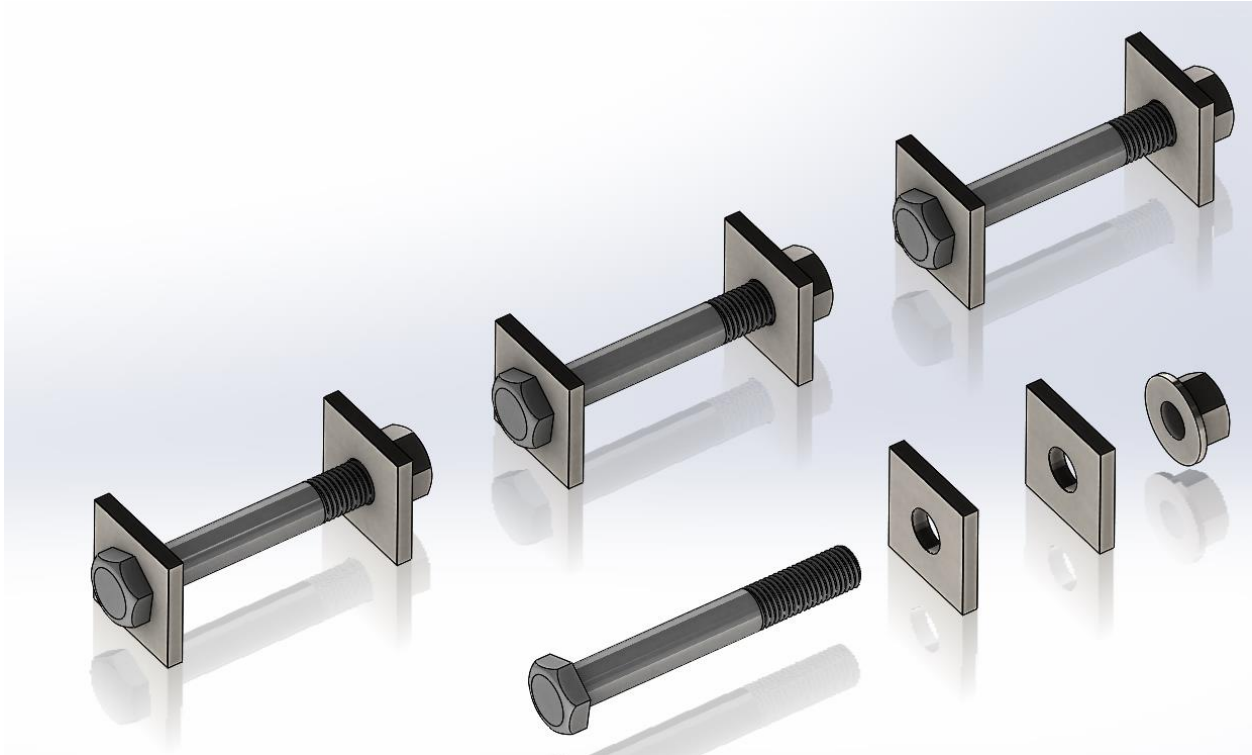


VCC13

THIRTEEN



ECCENTRIC LOCKOUT KIT INSTALLATION INSTRUCTIONS:

03-08 NISSAN 350Z Z33

03-06 G35 SEDAN V35

03-07 G35 COUPE V35

PART NUMBERS:

LKNS-0300

We recommend that installation of all Voodoo13 parts be completed by a professional who is experienced in suspension tuning. With proper installation and maintenance, Voodoo13 suspension products will provide exceptional performance and durability. For any questions, please contact Voodoo13 immediately. We thank you for choosing Voodoo13 for your suspension tuning needs!

NEED HELP?

Our representatives are here to help you with any questions concerning the operation of this product.

CALL 480-889-0812

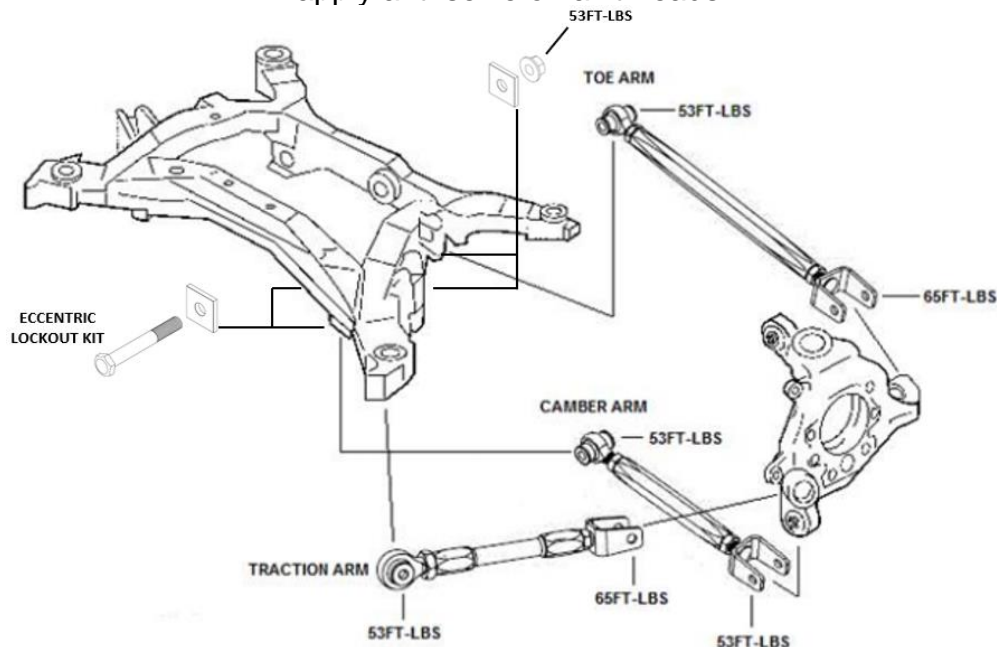
Monday thru Friday 8:30am to 5:30pm MST

RECOMMENDED TOOLS AND SUPPLIES

- General Mechanics Tool Set
- 18MM Hex Socket (Required)
- Torque Wrench
- Vehicle Jack and Safety Jack Stands (Or Vehicle Lift)
- Anti-Seize Lubricant

PART BREAKDOWN

NOTE: For any OE hardware please refer to OEM service manual for torque specifications. For all included hardware please torque to specifications shown below. It is recommended to use a torque wrench when tightening instead of an impact gun and apply anti-seize on all threads.



INSTALLATION PROCEDURE

* Reference the exploded view on the previous page

Step 1: Lift the vehicle to a safe height using the recommended factory lift points to work underneath the rear suspension. Ensure to place safety jack stands where recommended by Nissan before anyone goes underneath the car (unless using a vehicle lift with safety locks).

Step 2: Locate the rear adjustable camber and toe arms on the vehicle subframe and remove the inner most factory eccentric hardware one at a time; taking note of the length of the bolts.

Step 3: After matching bolt lengths, insert the supplied Lockout Bolt into the Counter-Bored Lockout Washer and install through the inner most mounting point of each arm. Installation orientation shown in exploded view is recommended for aesthetics, but orientation is up to the discretion of the installer. Apply anti-seize on the threads of the bolt.

Step 4: Install the Flat Lockout Plate and Lock Nut onto other side of arm mount and torque to **53 ft-lbs** using a torque wrench. Do this for all four mounting points on the camber arm, and toe arm.

Step 5: Lower vehicle safely back to the ground and perform a vehicle alignment. You are finished! Now you will not have to worry about the car's alignment slipping under hard cornering load. All adjustment will be via the adjustable toe and camber arms.

WARRANTY

All products sold are subject to the following warranty:

Voodoo13 offers a Limited Lifetime Warranty for our products to the original retail consumer against defects and workmanship when used on light truck and car applications under normal operating conditions. This warranty does not apply to parts that have been improperly installed or wearable items such as, but not limited to, worn bushings or bearings unless proven to be defective from the manufacturer.

Exterior finish on all Voodoo13 products is not considered a valid warranty; consumers are responsible for the maintenance of paint, anodize or raw metal finish.

The consumer will be responsible for the removal and freight costs both to and from the Distributor from which the product was originally purchased. Proof of purchase and product registration through the Voodoo13 website is mandatory in order to receive warrantee replacement; original invoice from the Distributor from which the product was purchased must accompany the product in question for warrantee.

Voodoo13 has the right to refuse a warrantee claim if procedures are not met by the original consumer. All returns must have an R.M.A. approval from Voodoo13 prior to shipping direct to the Voodoo13 facility. Exclusions from this warranty are sales outside of the United States, the finish, dents, rust, or any condition caused by abnormal use or neglect.

WARNING

High performance parts. For off-road use only. Installation should be carried out by a qualified facility. Improper use or installation may result in injury or death.



VOODOO13
254 W Broadway Rd
Mesa, AZ 85210
Ph: 480.889.0812
Fax: 480.829.8103
www.VOODOO13USA.com