



**RAISING THE STANDARD
IN RACING SUSPENSION**

MADE IN THE USA

**VOODOO13USA.COM
TEAM@VOODOO13USA.COM
480.889.0812**

**254 W BROADWAY RD.
MESA, ARIZONA 85210**

INFINITI REAR ADJUSTABLE TRACTION ARMS

2014+ INFINITI Q50 SEDAN | 2017+ INFINITI Q60 COUPE



V00-TRIF-0100

**11 TOTAL DEGREES OF ADJUSTMENT
BILLET HEX CONSTRUCTION FOR EASE OF ADJUSTMENT
ENSURES PROPER BALANCE PROVIDED TO THE OVERALL CHASSIS**

INCLUDED:

- 2 X HEX
- 4 X MISALIGNMENT SPACER
- 2 X HEIM JOINT
- 2 X BRACKET
- 4 X LOCKING NUTS

We recommend that installation of all Voodoo13 parts be completed by an experienced suspension tuning professional. With proper installation and maintenance, Voodoo13 suspension products will provide exceptional performance and durability. For any questions, please contact Voodoo13 immediately. Thank you for choosing Voodoo13 for your suspension component needs!

RECOMMENDED TOOLS + SUPPLIES

- General Mechanics Tool Set
- Vehicle Jack and Jack Stands
- Torque Wrench

PART BREAKDOWN

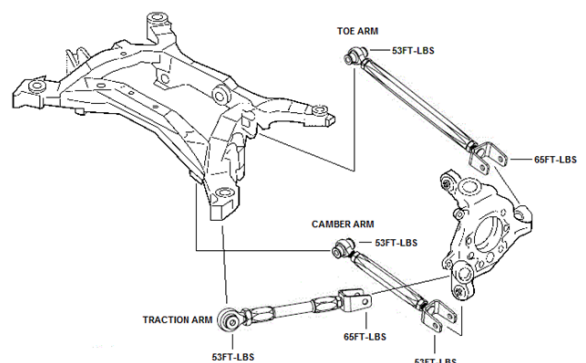
NOTE: For any OE hardware please refer to OEM service manual for torque specifications. For all included hardware, please torque to specifications shown below. It is recommended to use a torque wrench when tightening instead of an impact gun and apply anti-seize on all threads.

NEED HELP?

Representatives are here to help with any questions concerning this product.

CALL 480.889.0812

Monday-Friday 8:30 AM to 5:30 PM MST

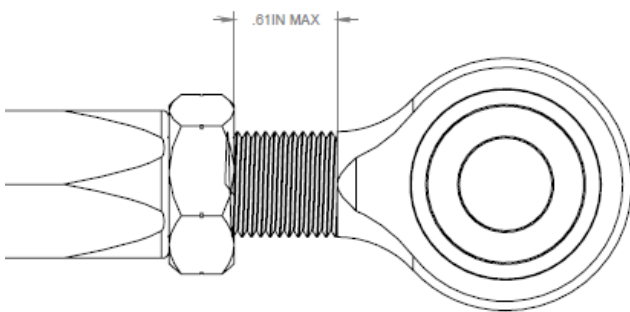


INSTALLATION PROCEDURE

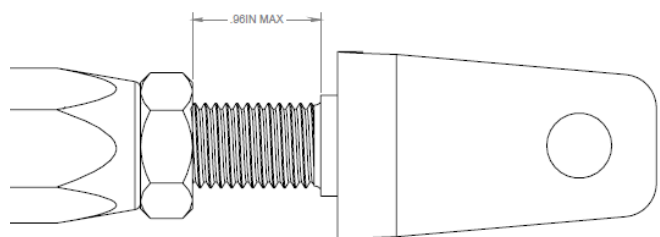
- STEP 1:** Lift the vehicle to a safe height using the recommended factory lift points to work underneath the vehicle's suspension. Ensure placement of safety jack stands where recommended by the manufacturer's service manual before working underneath the vehicle.
- STEP 2:** Proceed to the rear of the vehicle and remove the rear wheels.
- STEP 3:** Locate the factory lower control arm on the car. Begin by loosening the bolt on the subframe side and then proceed to remove the bolt.
- STEP 4:** Next remove the bolt on the knuckle side and remove the factory arm.
- STEP 5:** These new arms adjust traction width simultaneously. The bracket end of the arm needs to be installed on the knuckle end and torqued to 53 ft-lbs using a torque wrench. The spherical end with the spacers needs to be installed on the subframe side and torqued to 53 ft-lbs using a torque wrench.
- STEP 6:** Repeat steps 3 through 5 for the opposite side of the vehicle.
- STEP 7:** Reinstall the rear wheels and torque the lug nuts according to the factory service manual.
- STEP 8:** Lower vehicle safely back to the ground and perform a vehicle alignment. Re-check installation torque after 50 miles of continuous driving.

ROD END ADJUSTMENT GUIDELINES

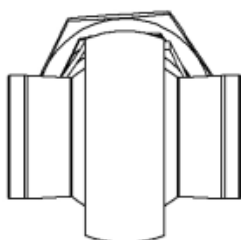
When adjusting rod ends to the desired position, adjust so that the rod end and adjuster have approximately the same amount of thread showing. Always use the jam nuts to secure the rod end and adjuster. Never tighten the rod end into the adjuster or the adjuster in the lower control arm as a jamming mechanism.



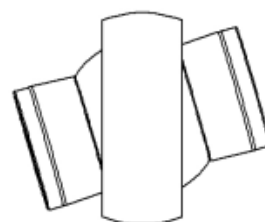
CORRECTLY ADJUSTED



CORRECTLY ADJUSTED



CORRECTLY POSITIONED



**INCORRECTLY POSITIONED
TOO MUCH STATIC ROD END MISALIGNMENT**

WARRANTY

All products sold are subject to the following warranty:

Voodoo13 (Autoline Industries LLC) offers a Limited Lifetime Warranty to the original retail consumer against component defects and workmanship when used on light- truck and car applications under normal operating conditions.

This warranty does not apply to parts that have been improperly installed or wearable items such as, but not limited to, worn bushings or bearings unless proven to be defective from the manufacturer.

Exterior finish on all Voodoo13 products is not considered a valid warranty; consumers are responsible for the maintenance of paint, anodization, or raw metal finish.

The consumer will be responsible for the component removal and freight costs both to and from the Distributor from which the product was originally purchased. Proof of purchase and product registration through the Voodoo13 website is mandatory in order to receive warranty replacement. The original invoice from the Distributor from which the product was purchased must accompany the product in question for warranty consideration.

Voodoo13 has the right to refuse a warranty claim if procedures are not met by the original consumer. All returns must have RMA approval from Voodoo13 prior to shipping direct to the Voodoo13 facility. Exclusions from this warranty are sales outside of the United States, the finish, dents, rust, or any condition caused by abnormal use or neglect.

Exclusions from this warranty are sales outside of the United States, the finish, dents, rust, or any condition caused by abnormal use or neglect. The losses of use of product, loss of time, inconvenience, commercial loss, or damages are not covered. Voodoo13 reserves the right to change, modify, or discontinue the design of any products previously manufactured without assuming any obligation to the consumer. Any consumer which qualifies for a replacement of said discontinued product will only be allowed to receive new product which replaces the discontinued. We are not responsible for a pair of any product if a single product has an issue.

Voodoo13 reserves the right to refuse any and all warranty claims from any Distributor which has not purchased the original Voodoo13 product directly from Voodoo13. Voodoo13 also reserves the right to refuse any Return Goods Authorization of said merchandise in which it is believed to be fraudulent or distressed merchandise not purchased originally from Autoline Industries.

This warranty does not apply to any Voodoo13 product which has been modified, customized, painted, dented, rusted, or improperly installed.

WARNING

High performance automotive components intended for off-road use only. Installation should be carried out by a qualified facility and installation professional. Improper use or installation may result in injury or death.

ABOUT VOODOO13

Headquartered in Mesa, Arizona, Voodoo13 USA is an aftermarket automotive performance part manufacturer specializing in the production of MIL-SPEC grade suspension components for both street and track vehicles. All products are proudly engineered, manufactured and assembled at their 100,000 Square Foot facility in Mesa, Arizona using only the highest quality materials sourced from US suppliers. Since its inception in 2013, Voodoo13 has become a brand synonymous with quality craftsmanship. Voodoo13 has set itself apart from the competition by being trusted both on and off the track by professional drivers and enthusiasts around the world. Learn more at Voodoo13usa.com or follow Voodoo13 on social @Voodoo13USA.